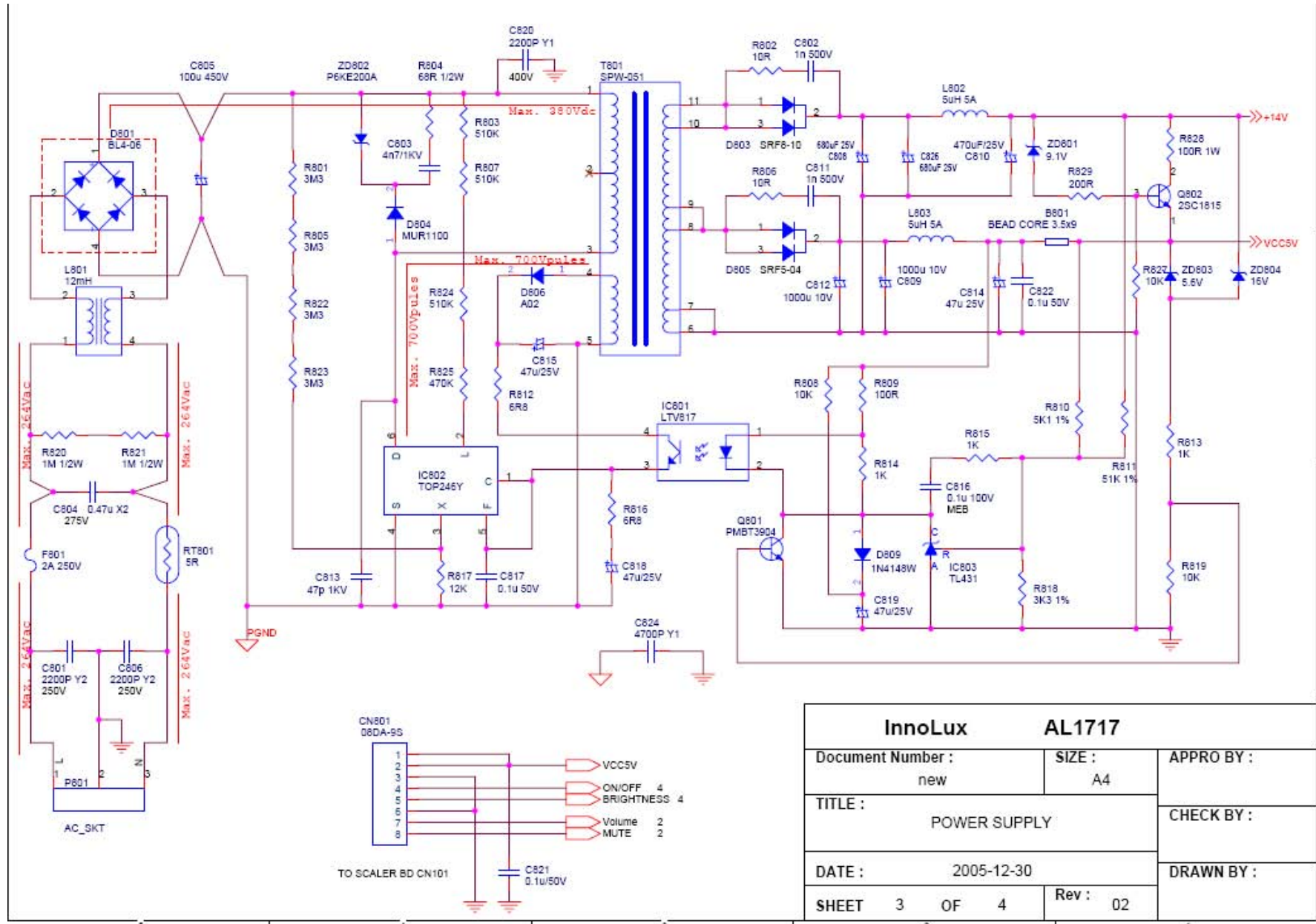


Attachment 2- Schematic



InnoLux		AL1717	
Document Number :	new	SIZE :	A4
TITLE :		POWER SUPPLY	
DATE :	2005-12-30	APPRO BY :	
SHEET 3 OF 4	Rev : 02	CHECK BY :	
		DRAWN BY :	

